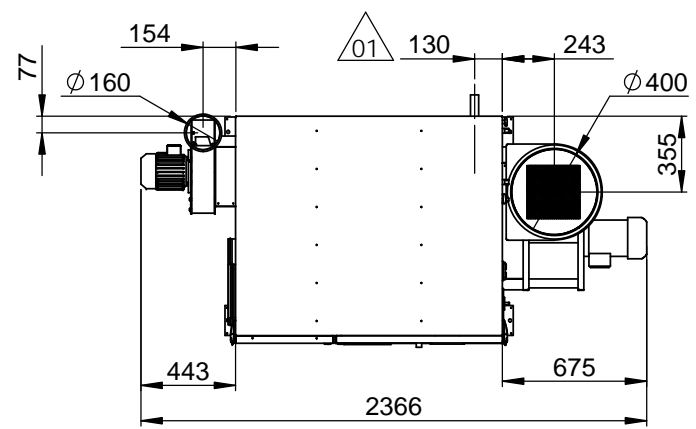
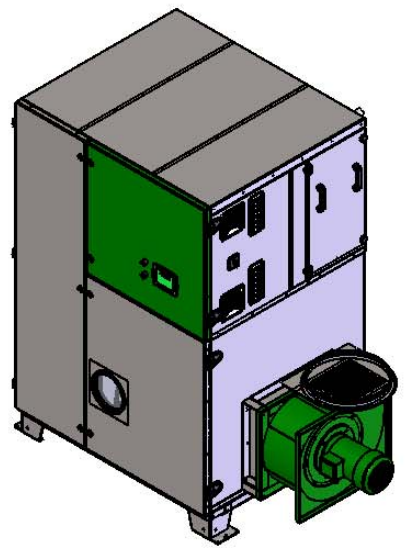
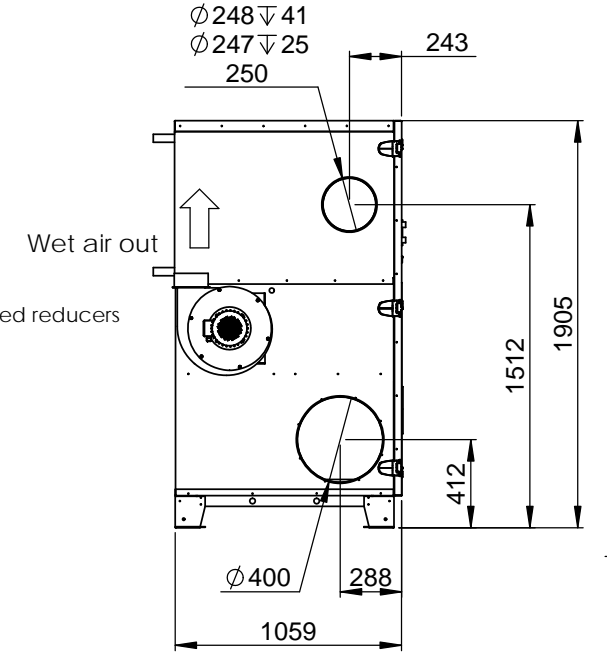
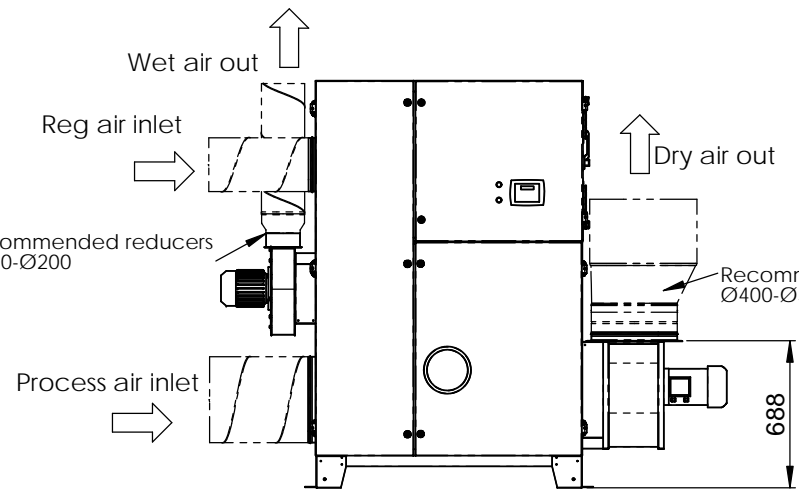
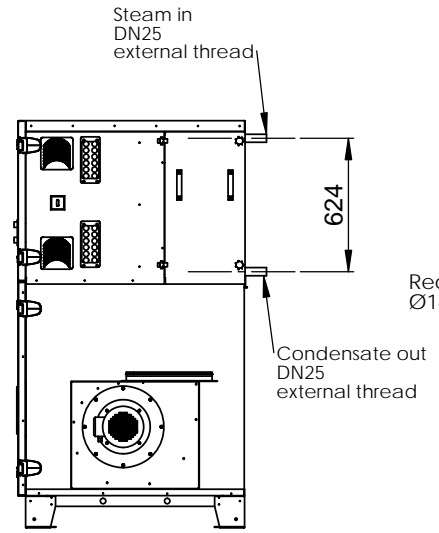


7 REVISIONS		8	
REV.	DESCRIPTION	DATE	APPROVED
01	Dimensions for steam connection changed	2012-09-05	KS
02	Recommended reducers added	2013-10-29	KS



This document and its contents are the exclusive property of DST Seibu Giken and must not be copied, reproduced, transmitted or communicated to any other party or used for purposes not expressly permitted by us.



Seibu Giken DST AB
+46 8 445 77 20
www.dst-sg.com

Designed by	Catarina S	Date	2011-02-10
Drawn by	Catarina S	Date	2011-02-10
Approved by	-	Date	-
Material		Thickness	t=
Status	Construction	Tolerance	ISO 2768-1m
Scale	1:25	Format	A3
Sheets/Sheet	1/1	Rev Part	02+
Weight (Kg)	805.685		

Title/Description	
Installationsritning CZ-82S Installation drawing CZ-82S	
Drawing no	Rev
DST02493	02+