

Dehumidifier Recusorb **DR-40 T10,T16, -50R**

DST 

Dehumidifying capacity at 20°C / 60%RH

1.6 - 2.8 kg/h

Dry air flow

550 - 600 m³/h

- Washable rotor
- No desiccant carry-over
- Stainless steel chassis
- Easy to maintain
- Long lifetime
- Built-in heat recovery

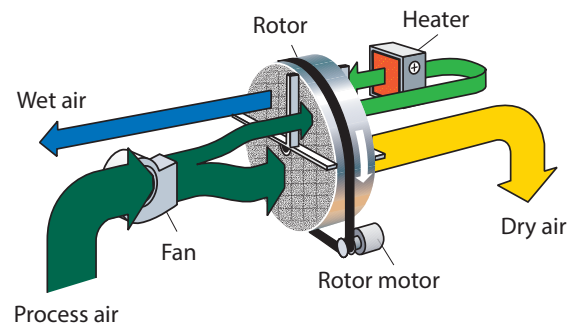


Section of a dehumidifier rotor from Seibu Giken. The high number of channels means that moisture is adsorbed with extra efficiency.

World leaders in dehumidification.

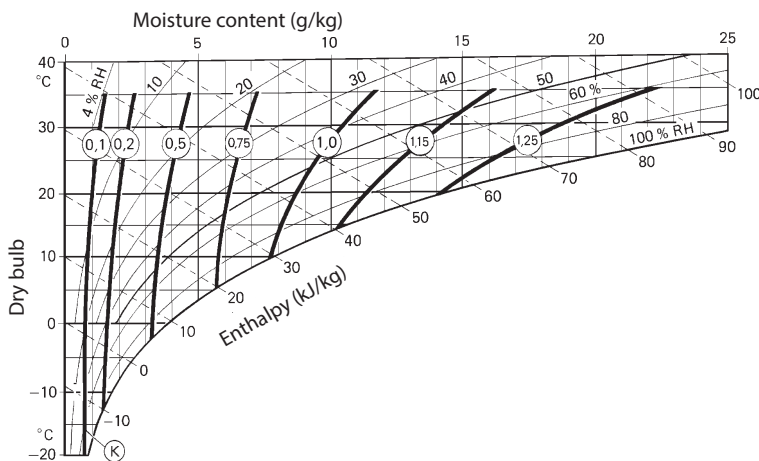
TECHNICAL DATA

Dehumidifier model	DR-40 T10	DR-40 T16	DR-50R
Nominal capacity ¹ (kg/h)	1.6	2.3	2.8
Dry air flow ² (m ³ /h)	600	550	600
Static pressure at disposal (Pa)	150	150	150
Wet air flow ² (m ³ /h)	120	150	180
Static pressure at disposal (Pa)	200	150	100
Heater current (A)	8 ⁵	13 ⁵	-
Heater power [kW]	-	-	4
Total power (kW)	2.3	3.2	4.2
Supply fuse (A)	10 ³	16 ³	10 ⁴
Weight (kg)	45	45	60



1. Valid for inlet conditions 20°C/60%RH. For other inlet conditions the capacity can be calculated by using the correction factor from the diagram shown below.
2. Volume flow for density 1.20 kg/m³.
3. Supply fuse 1 x 230 V 50 Hz.
4. Supply fuse 3 x 400 V 50 Hz For 3 x 230 V 50Hz:16A. No neutral.
5. The design of the PTC heater enables the power to be regulated by controlling the wet air flow.

CORRECTION DIAGRAM



The temperature of the dry air at nominal air flow is calculated by:

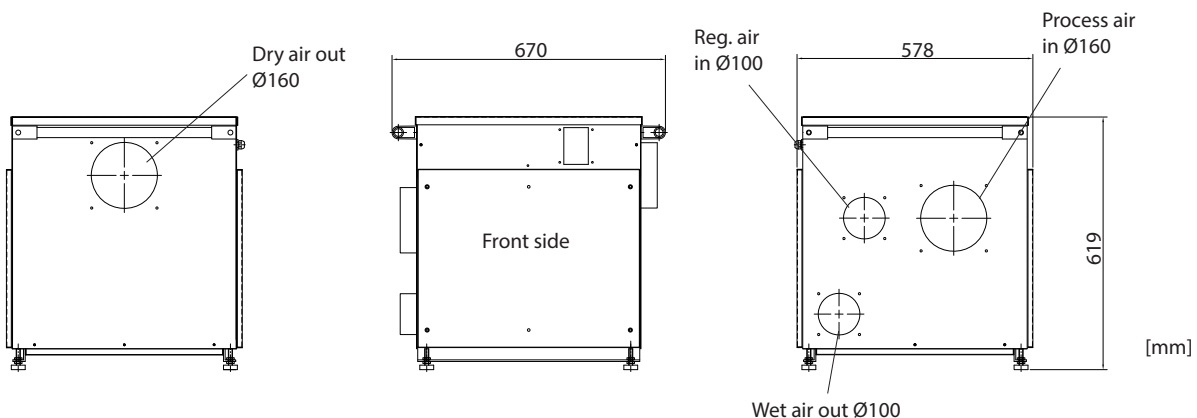
$$\text{DR-50 R: } t_{\text{out}} = t_{\text{in}} + (K \times 10) + 3^{\circ}\text{C}$$

$$\text{DR-40: } t_{\text{out}} = t_{\text{in}} + (K \times 7) + 3^{\circ}\text{C}$$

The dehumidifying capacity is estimated as the nominal capacity from above, multiplied by factor K from the correction diagram.

DIMENSIONS

Subject to change without notice. Download installation drawing at www.dst-sg.com



Updated 18.12



Sweden | +46 8 445 77 20
info@dst-sg.com | www.dst-sg.com