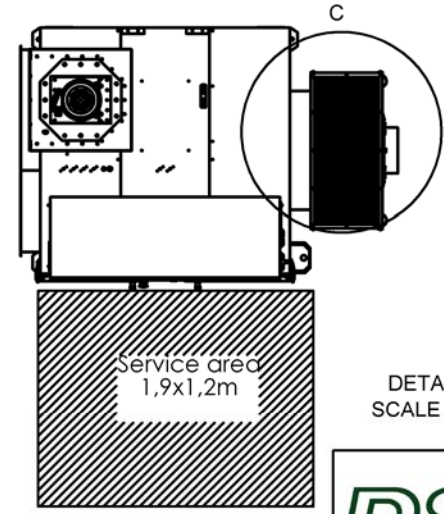
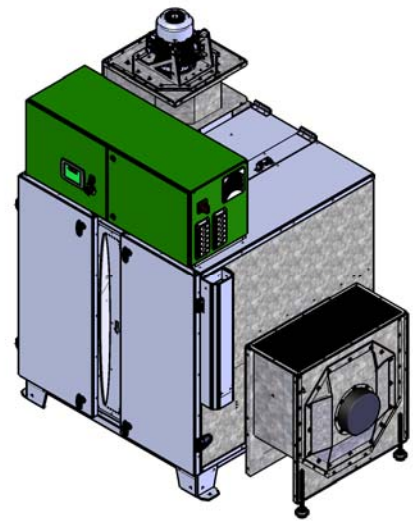
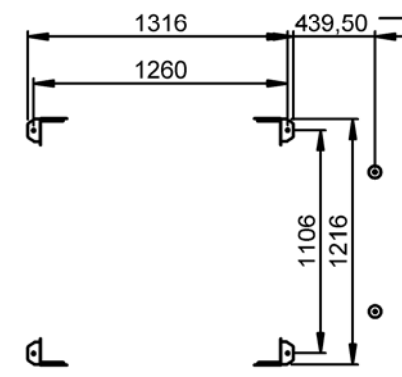
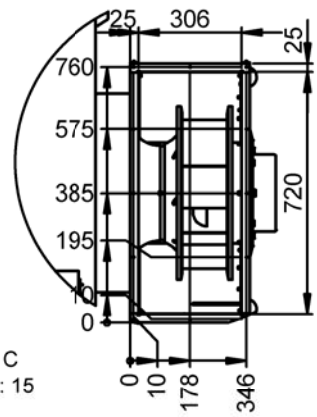


DETAIL B  
SCALE 1 : 15



DETAIL C  
SCALE 1 : 15



SECTION A-A  
SCALE 1 : 25

This document and its contents are the exclusive property of DST Seibu Giken and must not be copied, reproduced, transmitted or communicated in any form or for any purposes not expressly permitted by us.

	Designed by <b>Aynur Polat</b>	Date 2018-05-18		
	Drawn by <b>Aynur P</b>	Date 2018-05-18		
	Approved by <b>AP</b>	Date 2021-09-16		
Material		Thickness t=	<b>RLZ-102</b>	
Status	Tolerance	Drawing no <b>DST10388</b>		
Seibu Giken DST AB +46 8 445 77 20 www.dst-sg.com			Rev <b>05</b>	
Scale 1:50	Format A3	Sheet/Total 1/1	Rev Part 04	Weight (kg) 502