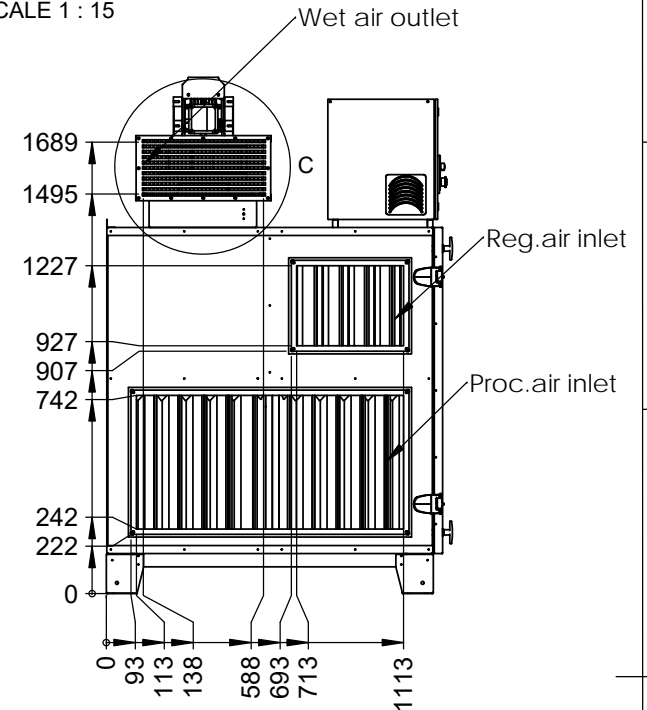
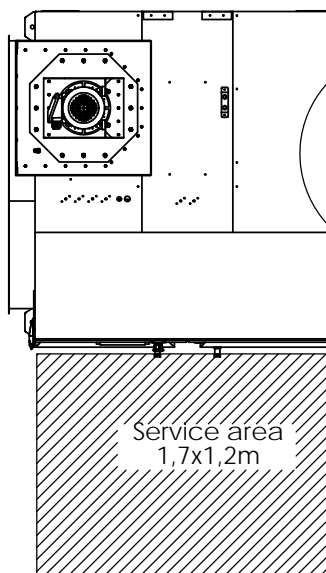
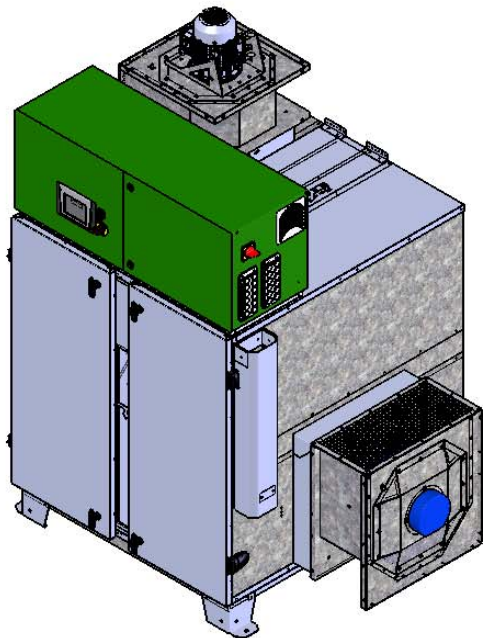
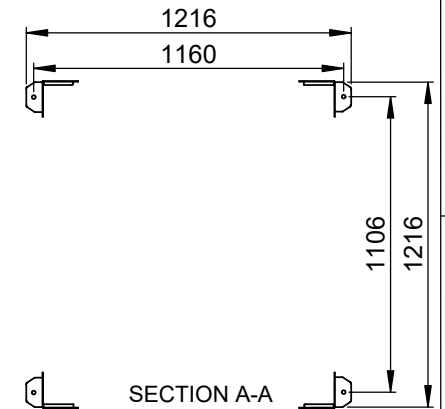
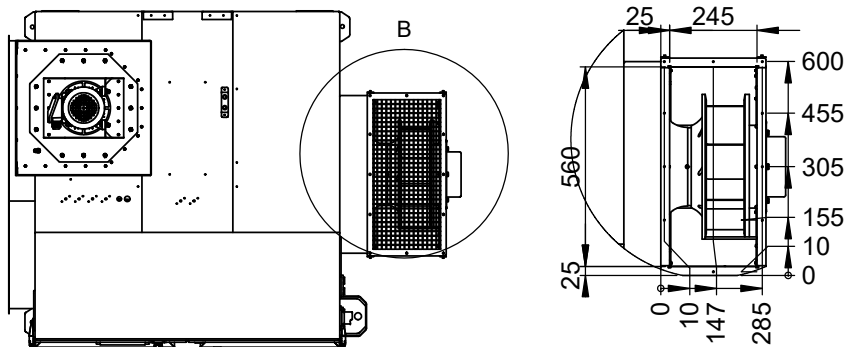


DETAIL C
SCALE 1 : 15



DETAIL B
SCALE 1 : 15



This document and its contents are the exclusive property of DST Seibu Giken and must not be copied, reproduced, transmitted or communicated to any other party or used for purposes not expressly permitted by us.



Seibu Giken DST AB
+46 8 445 77 20
www.dst-sg.com

Designed by	Aynur Polat	Date	2018-02-23
Drawn by	Aynur P	Date	2018-02-23
Approved by	AP	Date	2020-10-26
Material		Thickness	t=
Status	Construction	Tolerance	
Scale	1:20	Format	A3
Sheet/Sheet	1/1	Rev Part	02
Weight (Kg)	391		

Title/Description	
Installation drawing RLZ-101R	
RLZ-101	
Drawing no	Rev
DST09943	02