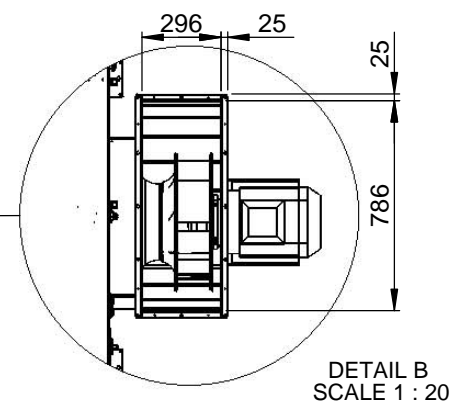
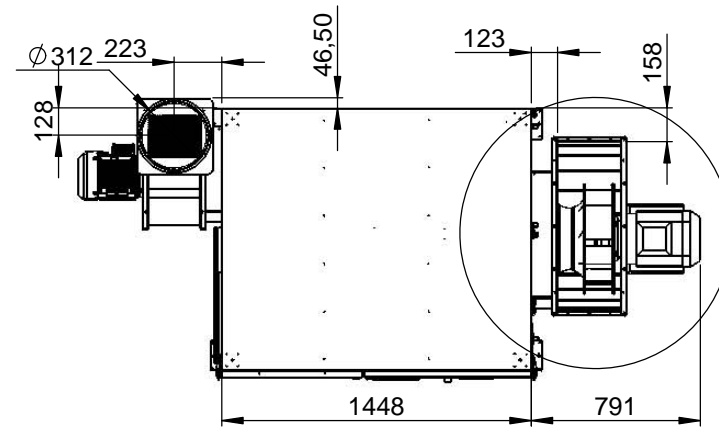
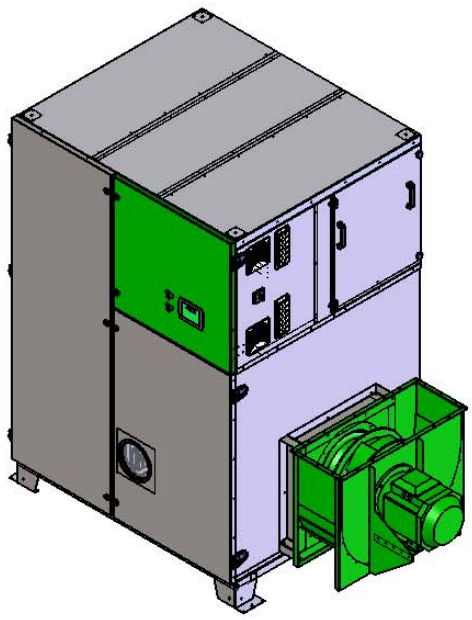
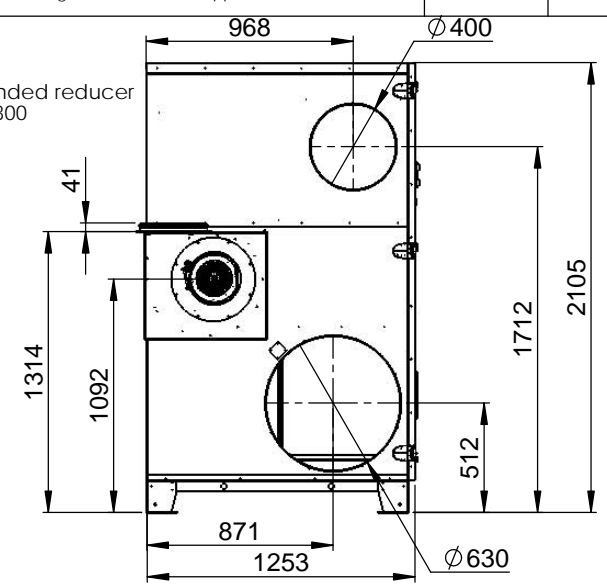
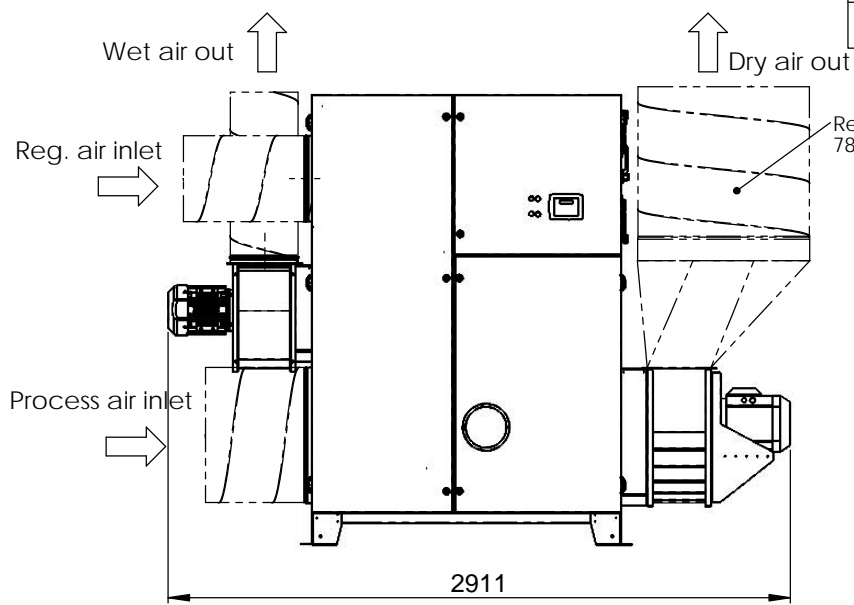
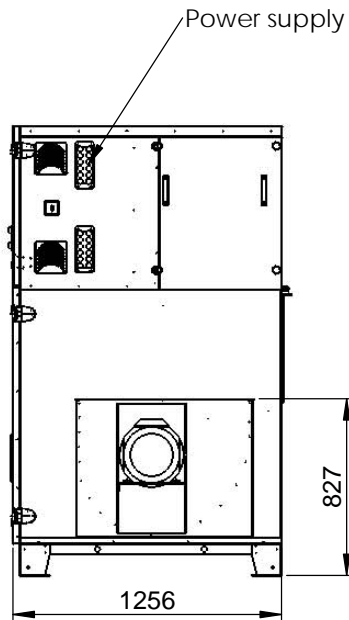


| REVISIONS | | | |
|-----------|--|------------|----------|
| REV. | DESCRIPTION | DATE | APPROVED |
| 01 | Recommended reducer added | 2013-10-31 | KS |
| 02 | Reg fan with outlet on opposite side added | 2016-09-08 | AD |



This document and its contents are the exclusive property of DST Seibu Giken and must not be copied, reproduced, transmitted or communicated to any other party or used for purposes not expressly permitted by us.



Seibu Giken DST AB
+46 8 445 77 20
www.dst-sg.com

| | | | |
|--------------|--------------|-----------|-------------|
| Designed by | Catarina S | Date | 2011-03-03 |
| Drawn by | Catarina S | Date | 2011-03-03 |
| Approved by | - | Date | - |
| Material | - | Thickness | t= |
| Status | Construction | Tolerance | ISO 2768-1m |
| Scale | 1:25 | Format | A3 |
| Sheets/Sheet | 1/1 | Rev Part | 02+ |
| Weight (Kg) | 560 | | |

| | |
|---|------------|
| Title/Description | |
| Installationsritning CZ-104 Installation drawing | |
| CZ-104 | |
| Drawing no | Rev |
| DST02572 | 02+ |