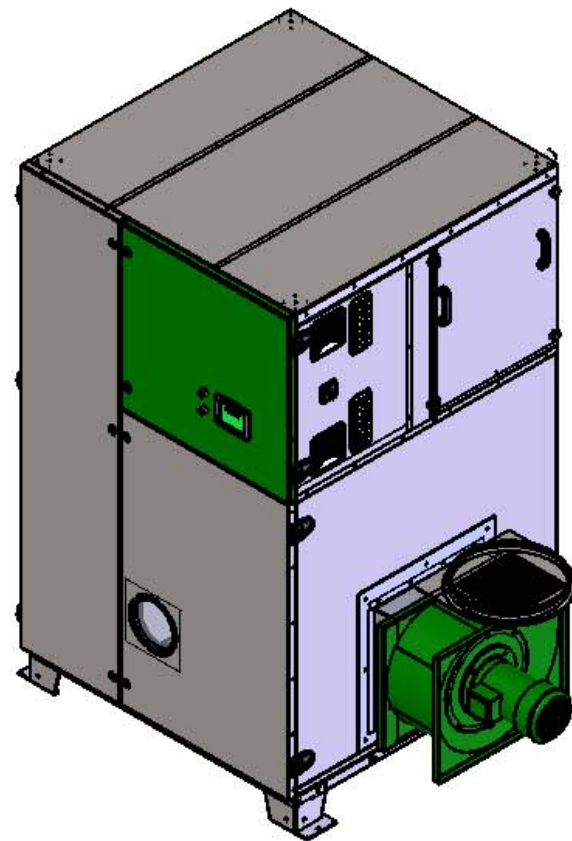
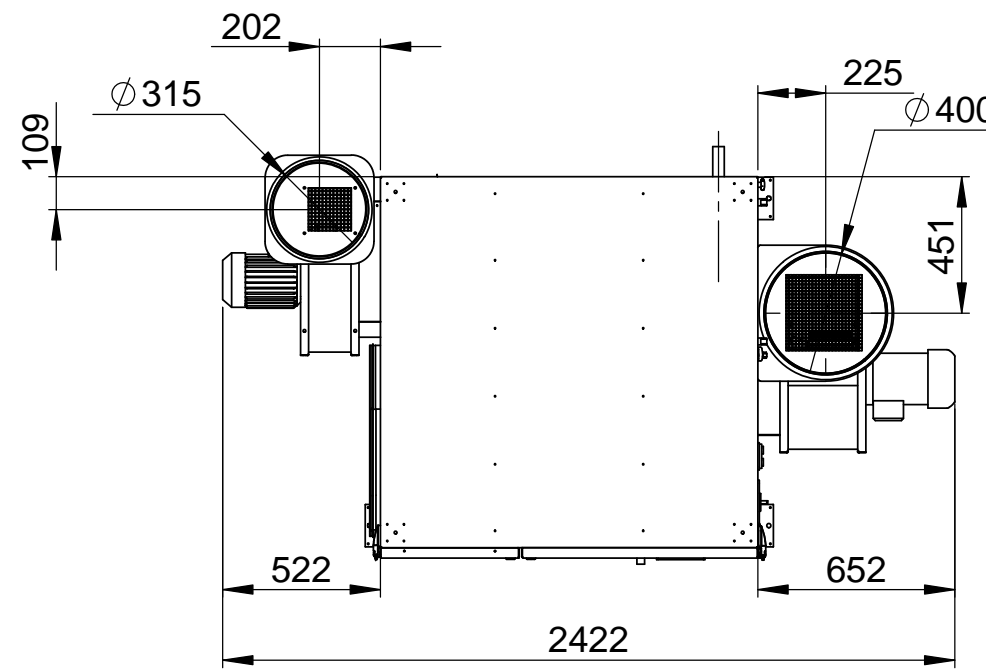
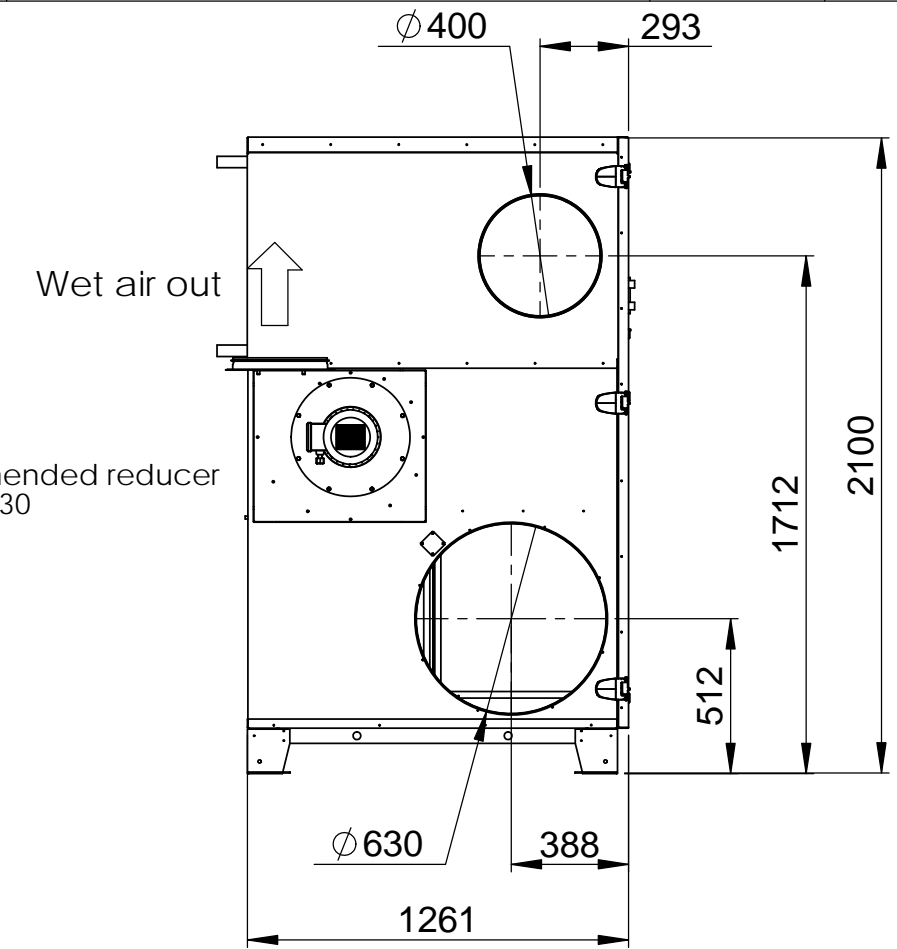
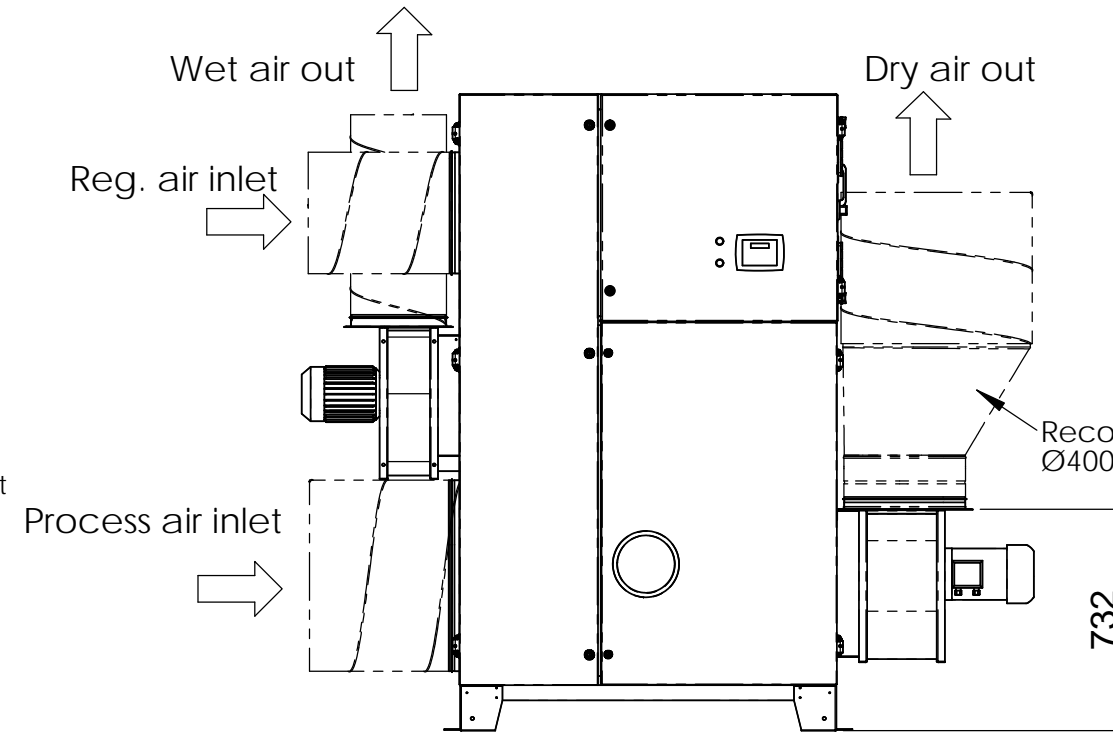
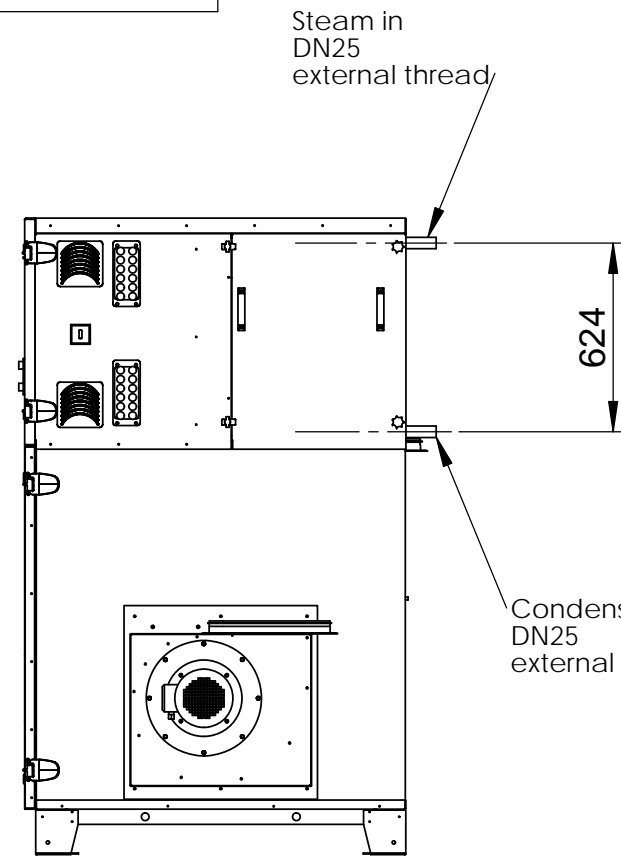


REVISIONS			
REV.	DESCRIPTION	DATE	APPROVED
01	Recommended reducer added	2013-10-30	KS
02	unit weight updated	2016-02-08	EL



This document and its contents are the exclusive property of DST Seibu Giken and must not be copied, reproduced, transmitted or communicated to any other party or used for purposes not expressly permitted by us.



Seibu Giken DST AB  
+46 8 445 77 20  
www.dst-sg.com

Designed by	Catarina S	Date	2010-12-28
Drawn by	Catarina S	Date	2010-12-28
Approved by	-	Date	-
Material		Thickness	t=
Status	Construction	Tolerance	ISO 2768-1m
Scale	1:25	Format	A3
Sheet/Sheet	1/1	Rev Part	02
Weight (Kg)	800.000		

Title/Description		
Installationsritning CZ-102S Installation drawing		
<b>CZ-102S</b>		
Drawing no	Rev	
<b>DST02363</b>	<b>02</b>	