

Insulated stainless steel panels (option)

Aluminium profiles 1,7mm

Heater

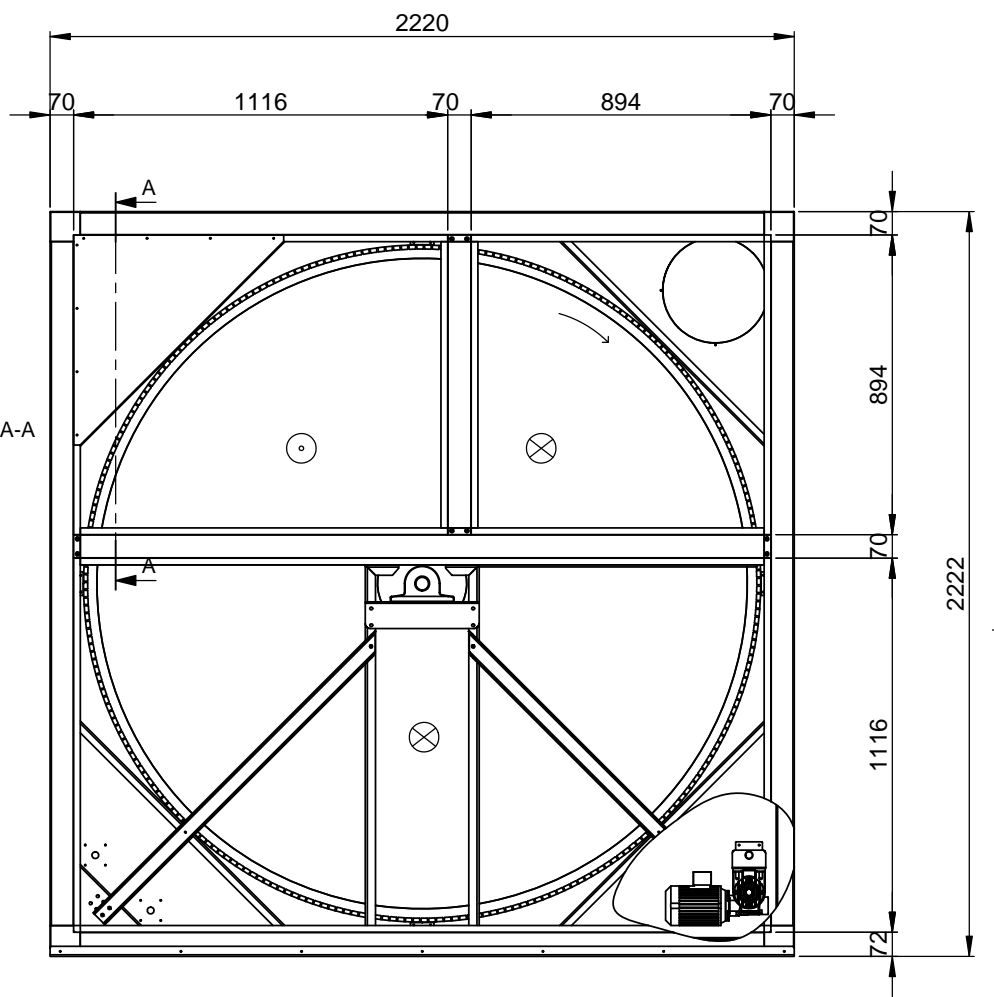
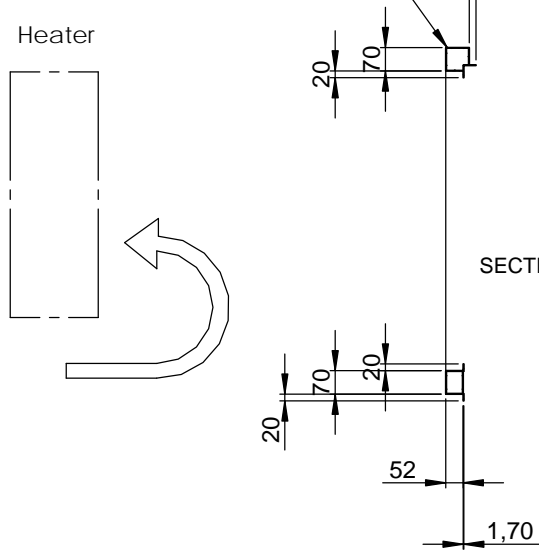
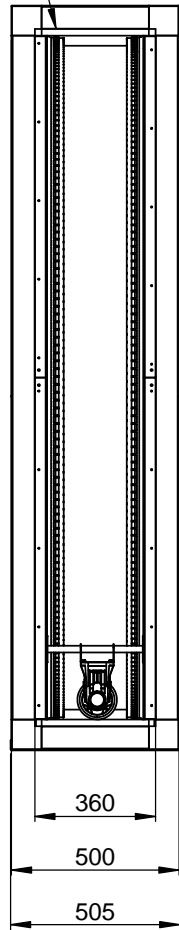
Wet air



Purge air



Process air



This document and its contents are the exclusive property of DST Seibu Giken and must not be copied, reproduced, transmitted or communicated in any form or by any means without the express permission of us.



Seibu Giken DST AB  
+46 8 445 77 20  
www.dst-sg.com

Designed by	Catarina S	Date	2011-03-23
Drawn by	Catarina S	Date	2011-03-23
Approved by	-	Date	-
Material	-		
Thickness	t=		
Status	Construction	Tolerance	ISO 2768-1m
Scale	1:15	Format	A3
Sheet/Sheet	1/1	Rev Part	00+
Weight (kg)	-		

Title/Description	
<b>Installationsritning RUF-192 60 15 25</b>	
Installation drawing <b>RUF-192</b>	
Drawing no	Rev
<b>DST02670</b>	<b>00+</b>