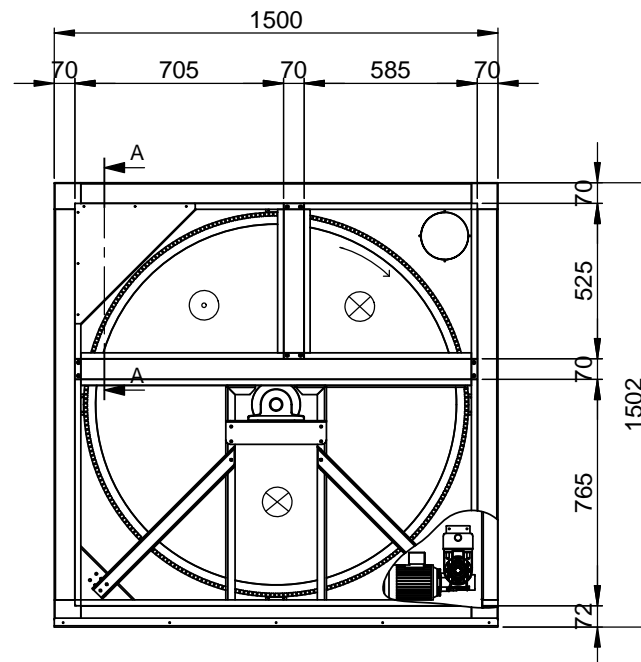
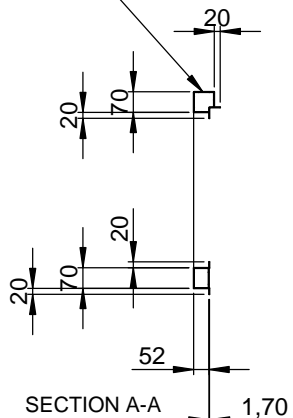
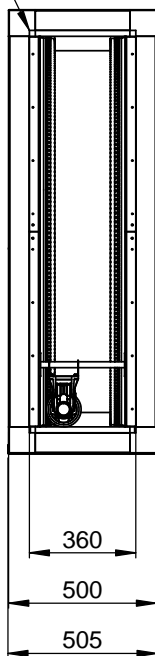


Insulated stainless steel panels (option)

Aluminium profiles 1,7mm

Heater

Wet air  
Purge air  
Process air



This document and its contents are the exclusive property of DST Seibu Giken and must not be copied, reproduced, transmitted or communicated in any form or by any means without the express permission of DST Seibu Giken.



Seibu Giken DST AB  
+46 8 445 77 20  
www.dst-sg.com

Designed by	Catarina S	Date	2010-11-09
Drawn by	Catarina S	Date	2010-11-09
Approved by	-	Date	-
Material	-		
Thickness	t=		
Status	Construction	Tolerance	ISO 2768-1m
Scale	1:17	Format	A3
Sheet/Sheet	1/1	Rev Part	00+
Weight (kg)	243.475		

Title/Description  
RUF-122 Installationsritning 60 15 25

Installation drawing

Drawing no  
**DST02201**

Rev  
**00+**