

Insulated stainless steel panels (option)

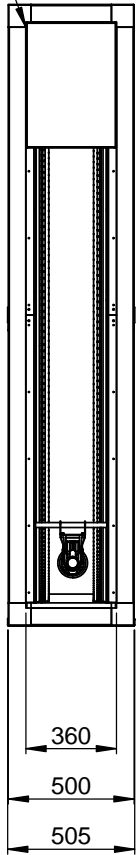
Wet air



Purge air

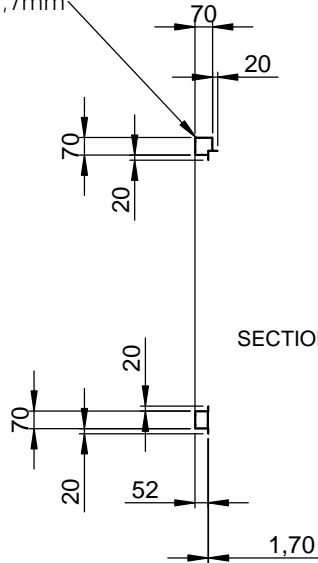
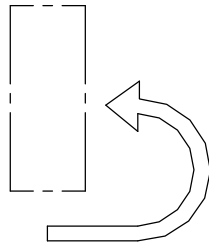


Process air

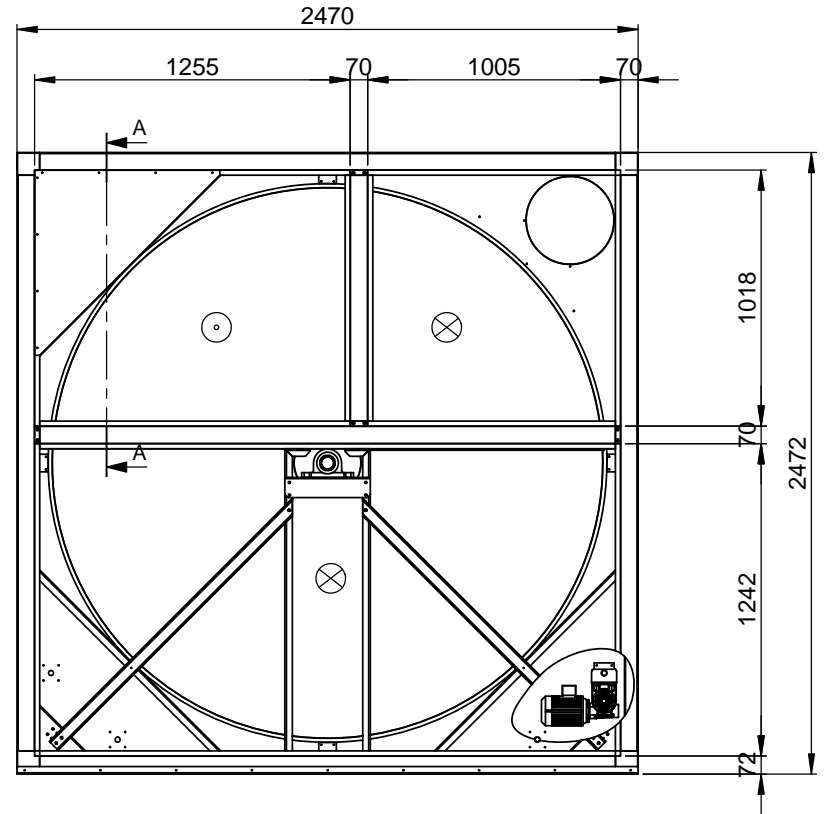


Aluminium profiles 1,7mm

Heater



SECTION A-A



This document and its contents are the exclusive property of DST Seibu Giken and must not be copied, reproduced, transmitted or communicated in any form or by any means without the express permission of DST Seibu Giken.



Seibu Giken DST AB
+46 8 445 77 20
www.dst-sg.com

Designed by	Catarina S	Date	2011-03-17
Drawn by	Catarina S	Date	2011-04-21
Approved by		Date	
Material	-		
Thickness	t=		
Status	Construction	Tolerance	ISO 2768-1m
Scale	1:20	Format	A3
Sheet/Sheet	1/1	Rev Part	00+
Weight (Kg)	6289.093		

Title/Description
Installationsritning RUF-222 60 15 25
Installation drawing RUF-222 60 15 25

Drawing no **DST00485** Rev **00+**