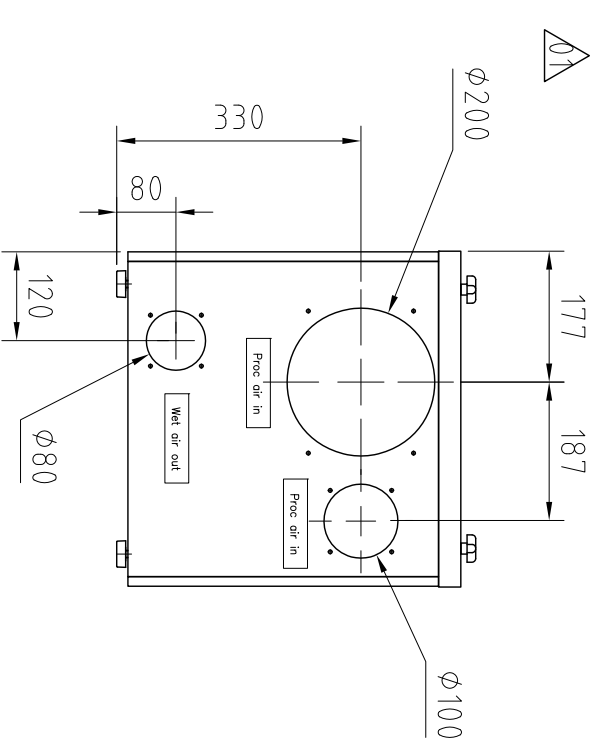
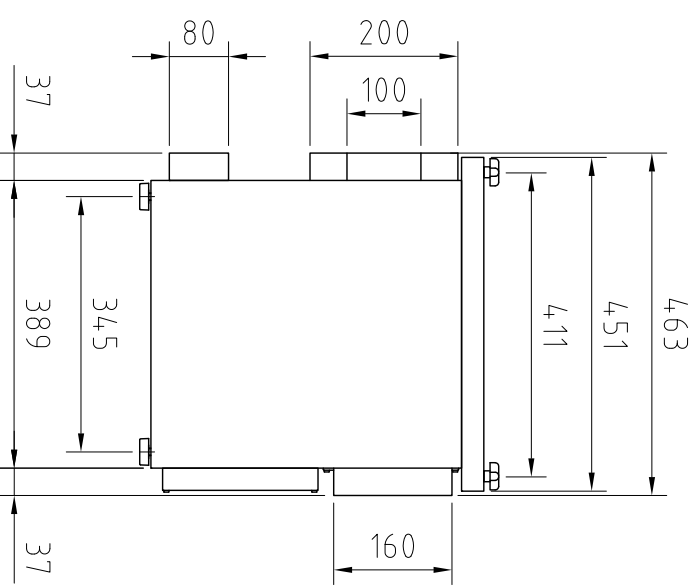
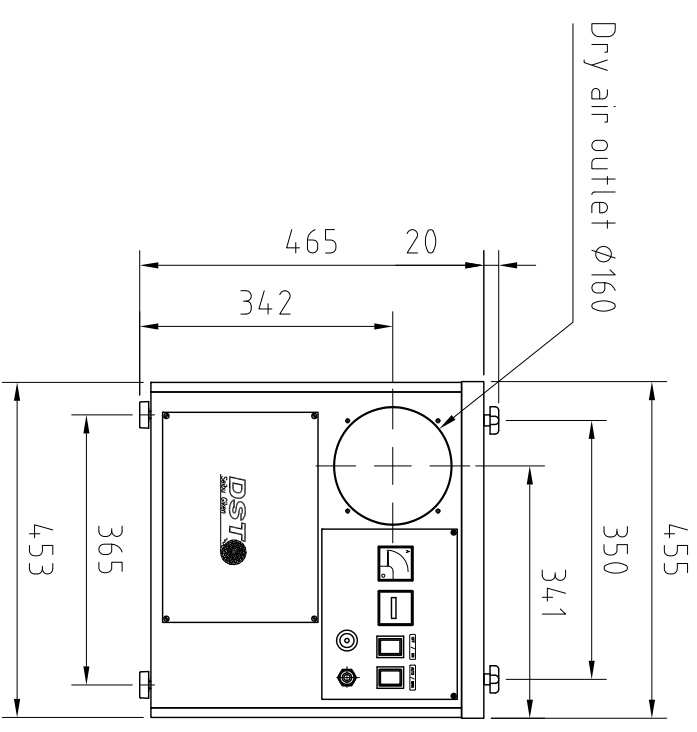


This drawing is DST Seibu Giken property. It must not, without our written permission be copied, given to third party or used for other unauthorized purpose.

Nr	Modification	Date	Sign.
01	Upppd. dimensioner, stosar	091020	SO



Pos. nr.	Qty.	Description	Material/Type	Dimension	Supplier/Note
		DST Seibu Giken		DR-031C Dimension dwg.	
		General tolerance	Scale	Drawn	Date
		SS-ISO 2768-11M	1:10	NH	2006-01-18
		General Roughness	File name	Rev.	
		Ra 12.5	031 1 9224	01	