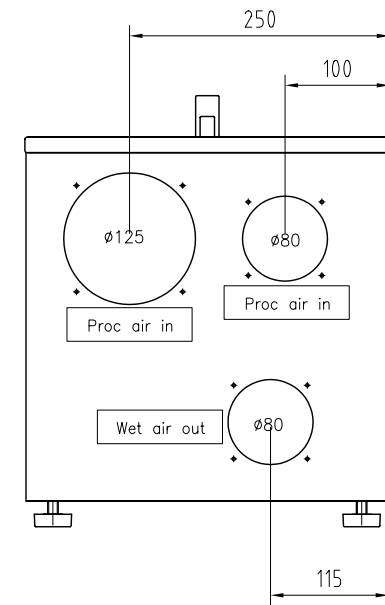
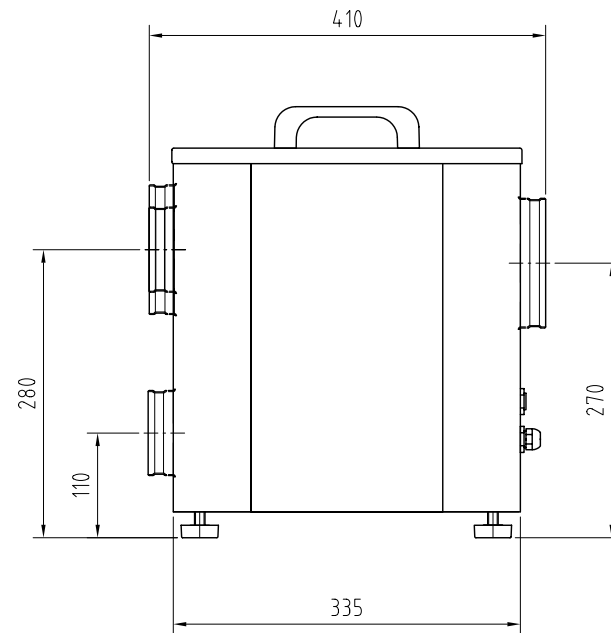
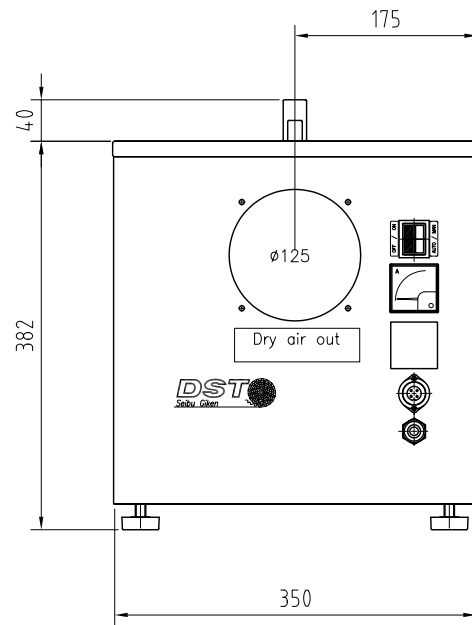


This drawing is DST Seibu Giken property.
It must not, without our written permission
be copied, given to third part or used for
other unauthorized purpose.

Nr	Modification	Date	Sign.
----	--------------	------	-------



Pos. nr.	Qty.	Description	Material/Type	Dimension	Supplier/Note		
		DST Seibu Giken	DR-020/030C	Dimension drawing General tolerance SS-ISO 2768-1m General Roughness Ra 12.5	Scale	Drawn	Date
					1:5	AL	2001-04-18
					File name	Rev.	
					020 1 7196	00	