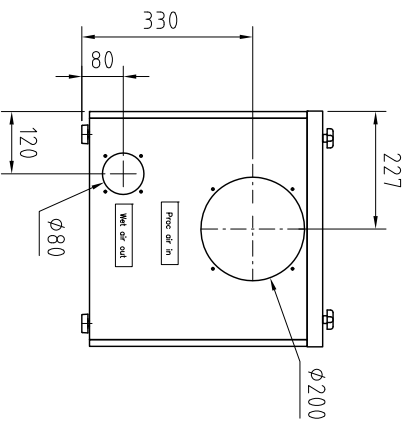
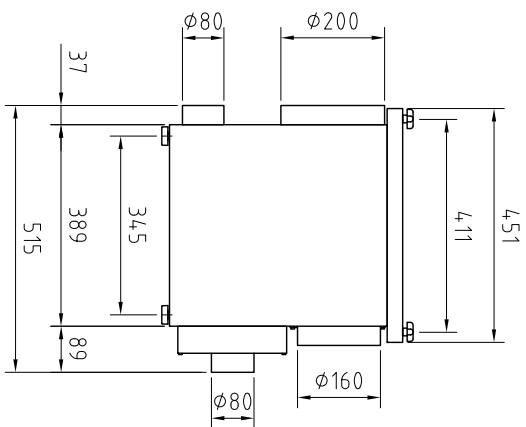
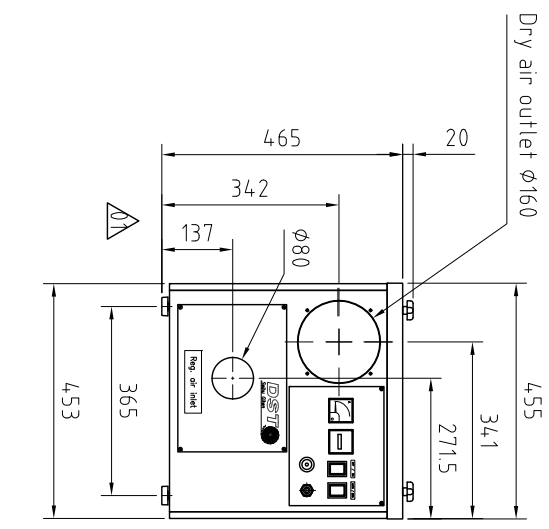


This drawing is DST Seibu Giken property. It must not, without our written permission, be copied, given to third party or used for other unauthorized purpose.



Pos. nr.	Qty.	Description	Material/Type	Dimension	Supplier/Note
		DC-031C-16A		General tolerance Scale 1:10 SS-ISO 2768-TM General roughness Ra 12.5	Drawn NH Date 2006-01-10
		Dimension dwg.			File name 031 1 9210 01



Nr	Modification	Date	Sign
01	Uppd. mått, stös	091020	SO